

FULL HYDRAULIC COMPACT EXCAVATOR

# TB216

CANOPY / Machine Weight : 1695kg CABIN / Machine Weight : 1790kg



TAKEUCHI

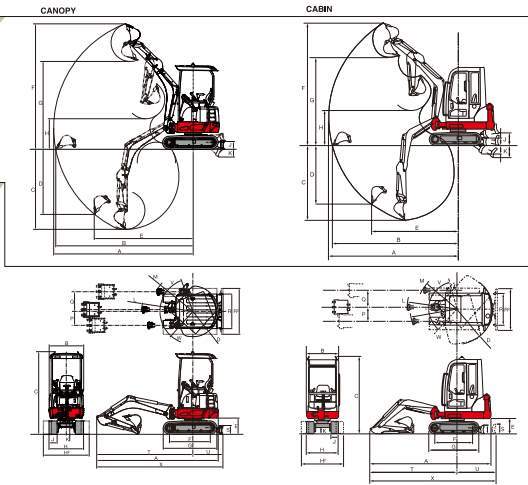
FULL HYDRAULIC COMPACT EXCAVATOR **TB216**

**Operating Range**

	CANOPY	CABIN
A	4020	4090
B	4035	4035
C	2390	2385
D	2060	2055
E	2790	2790
F	3740	3745
G	2705	2710
H	755	750
J	360	365
K	365	360

**Dimensions**

	CANOPY	CABIN
A	3870	3870
B	985	1055
C	2280	2360
D	1075	1075
E	460	460
F	1155	1155
G	1520	1520
H	980	980
H2	1300	1300
J	230	230
K	205	205
L	1480	1490
M	1155	1155
P	400	400
Q	570	570
R	980	980
R2	1300	1300
S	310	310
T	2800	2800
U	1200	1200
V	80°	80°
X	260	260
X1	4040	4040



**SPECIFICATIONS**

Basic Specifications / Dimensions	CANOPY	CABIN	Hydraulic Performance			
Machine Mass (Long Arm)	kg	1695	1790	Pump Type	Variable × 2 + Gear × 2	
Bucket Capacity	m³	0.338		Flow Rate P1 / P2	L/min	16.8/2
Engine Manufacturer	—	YANMAR		Set Pressure P1 / P2	MPa	21
Engine Model	—	3TNV70		Flow Rate P3	L/min	10.8
Rated Output (ISO 9249)	kW	11.1		Set Pressure P3	MPa	20
Rated Speed	min⁻¹	2400		Flow Rate P4	L/min	6.5
Fuel Tank Capacity	L	22		Set Pressure P4	MPa	3.4
Overall Length in Transport Condition	mm	3870		Service Port 1	L/min / MPa	33.6/21
Overall Width in Transport Position	mm	985	1055	Service Port 2	L/min / MPa	10.8/20
Overall Height in Transport Condition	mm	2275	2360	Service Port 3	L/min / MPa	6.5(10.8)/3.4(20)
Crawler Length	mm	1520		Slew Speed	min⁻¹	9.2
Undercarriage Width	mm	980/1300		Travel Speed	km/h	4.2/2.2
Retractable Track Width	mm	980/1300		Maximum Traction Force (Calculated)	kN	19.4
Door Blade Width × Height	mm	980/1300×310		Automatic Travel Speed Shifting		○
Rear-end Swing Radius	mm	1075		Slew / Travel Parking Brake		○/○
Track Shoe Width	mm	230		<b>Equipment</b>		
Ground Clearance of Undercarriage	mm	205		Monitoring Display		LCD/○/○
<b>Operating Ranges (Long Arm) / Digging Force</b>				Items/Fuel Gauge/Coolant Temperature		
Maximum Digging Depth	mm	2390		Blade Width Extension		○
Maximum Reach	mm	4090		12V Power Socket		○
Boom Swing Angle Left / Right	deg	80/80		Tail Lamp		○
Door Blade Operating Range Upper / Lower	mm	360/365		ROPS/FOPS/OPG Cab		○/○/○(OPT)
Bucket Digging Force	kN	1.4		Tie Down		○
Long Arm Digging Force	kN	8.2		<b>Vibration levels(EN 12096:1997)</b>		
Long Arm Length	mm	1130		Hand Arm		≤2.5m/s²
Boom Cylinder Layout		Rear		Body		≤0.5m/s²

TAKEUCHI

WORLD CREATOR OF COMPACT EXCAVATOR  
**TAKEUCHI MFG.CO.,LTD.**  
 205, Uwadaira,Sakaki-machi, Hanisina-gun,  
 Nagano 389-0605,Japan  
 Phone (81)268-81-1112  
 Telefax(81)268-81-1121  
 URL <http://www.takeuchi-mfg.co.jp>  
 E-mail [tmrking@takeuchi-mfg.com](mailto:tmrking@takeuchi-mfg.com)

In accordance with our established policy of constant improvement, we reserve the right to amend this specification at any time without notice. Printed in Japan. TB131230

FULL HYDRAULIC COMPACT EXCAVATOR

# TB216

CANOPY / Machine Weight : 1695kg CABIN / Machine Weight : 1790kg



TAKEUCHI

TAKEUCHI

FULL HYDRAULIC COMPACT EXCAVATOR

TB216  
CABIN

TB216  
CANOPY

**SPECIAL FEATURES**

- Powerful Yanmar engine (11.1 kW)
- Boom cylinder is located behind the boom
- Retractable under carriage
- Accumulator (option)
- Roll up front window with gas spring lift assist cylinder (cabin)
- Standard long blade
- Automatic travel speed shifting
- One way or two way switching for auxiliary circuit return line (option)

EVOLUTION OF TECHNOLOGY



CANOPY



CABIN

**SAFETY**

- Audible and visual warning with LCD monitor
- Anti drift valve prevents boom from down overtime
- ROPS / FOPS certified cabin / canopy provides operator protection from machine rollover and falling object
- Boom / Arm holding valve when the hose of the arm cylinders are ruptured and the boom falls, the emergency shut-off valve is activated and stops the boom part way through the fall (option)

EVOLUTION OF TECHNOLOGY

**SERVICEABILITY**

EVOLUTION OF TECHNOLOGY



- Wide open engine cover
- Sight gauge for fuel and hydraulic fluid levels
- Easier access to radiator

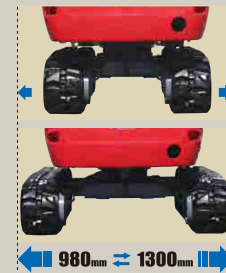


**EASE OF OPERATION**

- Three auxiliary flows
- Service port 1 : Standard by pedal control
- Service port 2 : Proportional control at right hand lever (option)
- Service port 3 : Trigger at left hand lever and foot switch for quick coupler (option)



- 2-Way Control Lever (Changeable joystick configuration) (option)



EVOLUTION OF TECHNOLOGY

- THE TB216 HYDRAULICALLY ADJUSTABLE TRACK FRAME enables the excavator, when in the retracted position, to squeeze through narrow openings. In the wide position, the excavator gains added stability for heavy excavating, over the side digging, attachment operation and work on uneven terrain. The advantages of two sizes of excavators in single machine.

**OPTIONS**

EVOLUTION OF TECHNOLOGY

- Service port 2 / Service port 3
- Boom holding valve / Arm holding valve
- Travel alarm
- Accumulator
- Double air cleaner element
- 2-Way Control Lever
- One way or two way switching for auxiliary circuit return line